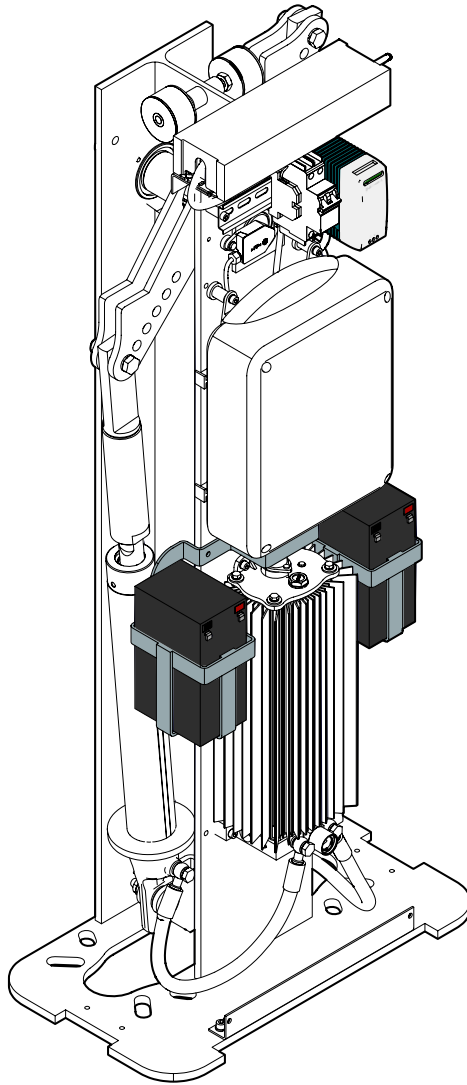


B680H

BATTERY BACKUP KIT



FAAC

DESCRIPTION

The B680H Battery Backup Kit has three main components:

- 1) 60W Power Supply with Battery Charger Output
- 2) Battery support bracket
- 3) Two 12V 8Ah Batteries

The kit also comes with pre-cut interconnecting cables.

A B680H with a 13 ft arm, a radio receiver and a set of safety photocells can run for about 500 cycles or be in standby (no operations) for 26 hours. *

* Number of cycles and stand-by time depend on several factors, such as: beam length, number of accessories connected to the control board, battery charge level, temperature, etc.

INSTALLATION

- 1. Mount the bracket on the central support of the operator using the supplied nuts and bolts (Fig. 2)
- 2. Drop the batteries in the dedicated baskets on the bracket (Fig. 2)
- 3. Install the Power Supply on the DIN rail in the position shown in Fig. 3

WIRING

Refer to Fig. 4 on the next page.



DISCONNECT AC POWER BEFORE INSTALLING THE KIT

- 1. Connect the Red and Black longer wires to the Power Supply.
- 2. Connect the Red and Black shorter wires to J12 on the Control Board.
- 3. Connect the Red and Black Faston connectors to the battery. **DO NOT CONNECT THE BLUE JUMPER YET**
- 4. Connect AC power from the switch to the power supply as shown in Fig. 5 and turn power back on. Verify that the control board turns on normally and that the green LED on the power supply is lit.
- 5. Connect the Blue jumper on the batteries, turn power off and verify that the control board is still powered.

NOTE: Route the wires behind the control board for a clean installation

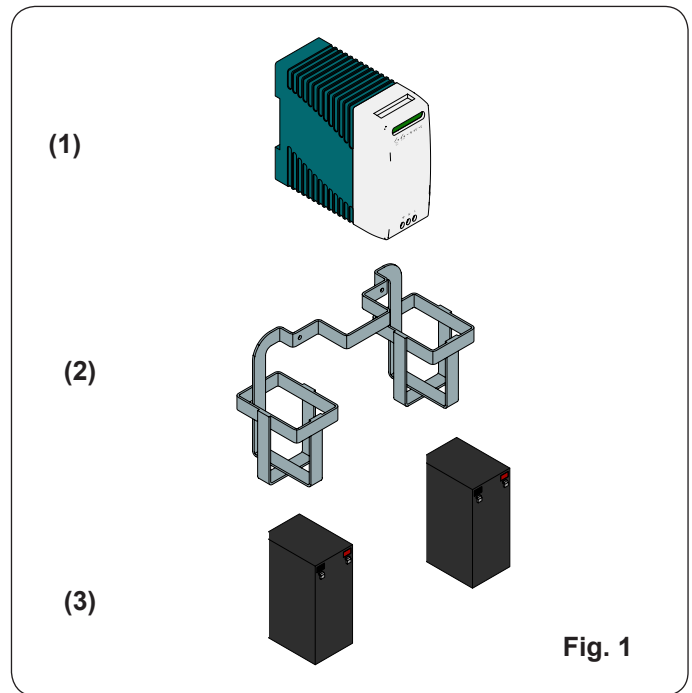


Fig. 1

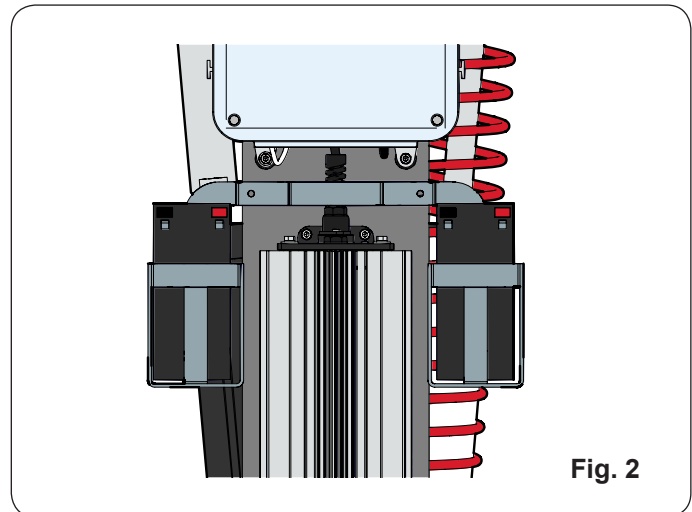


Fig. 2

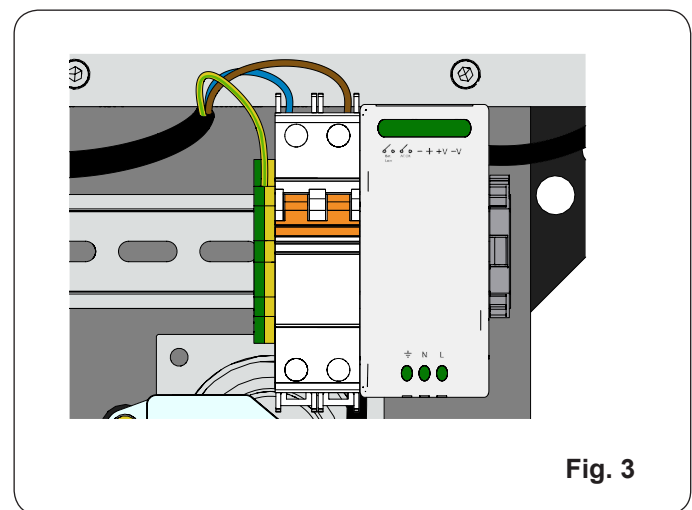
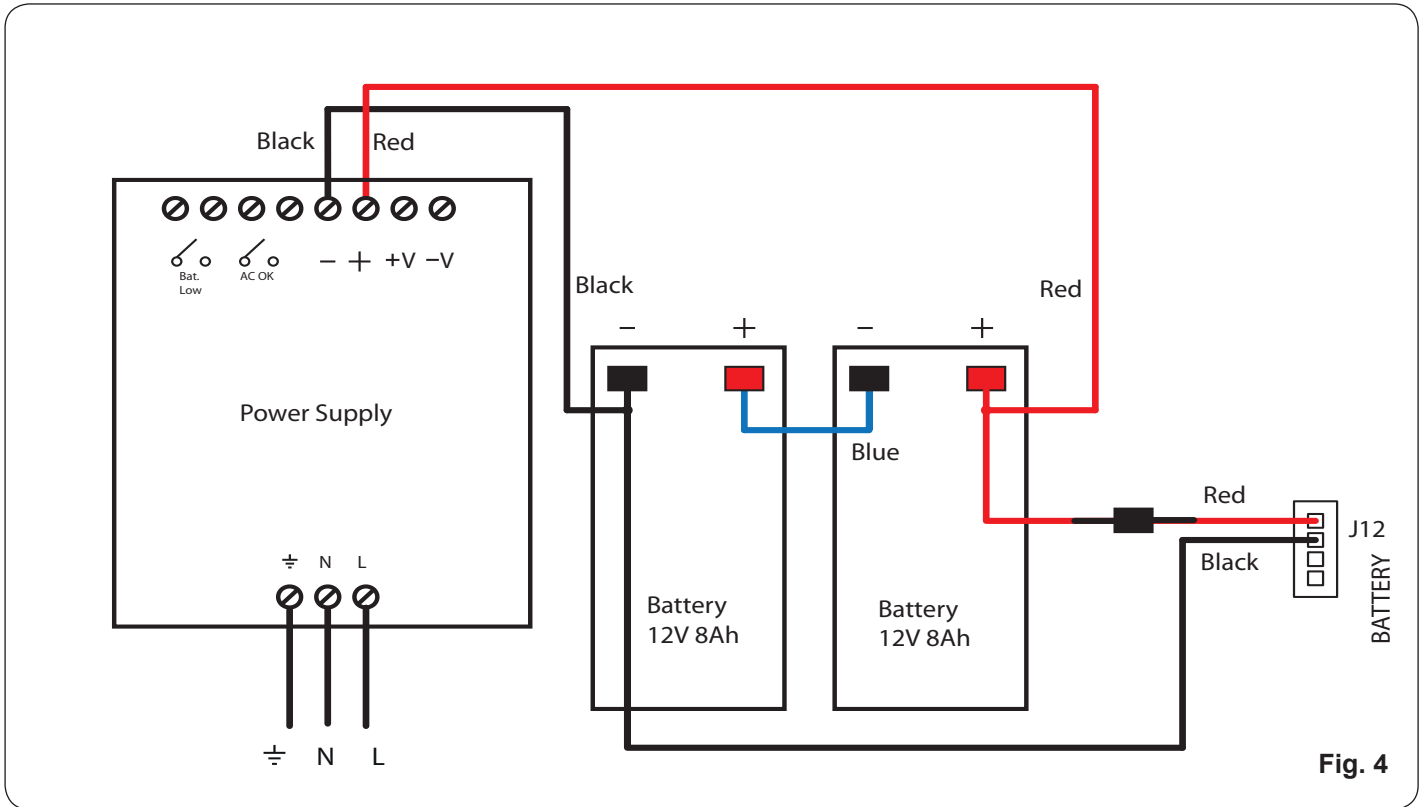


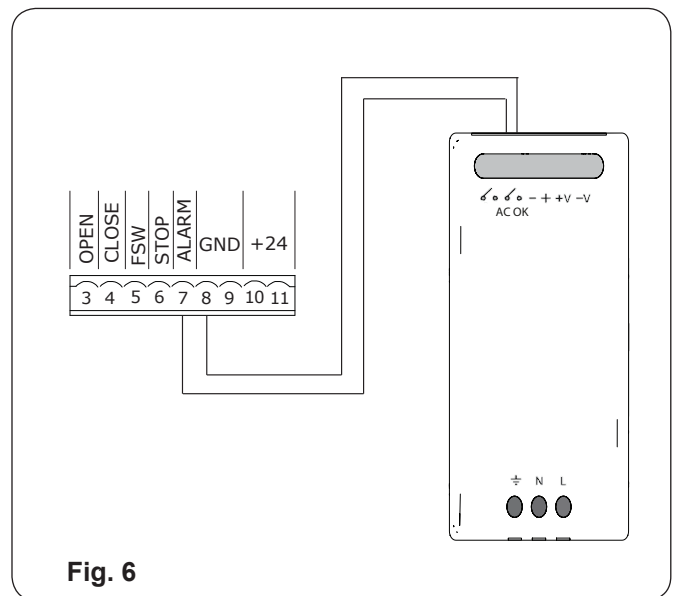
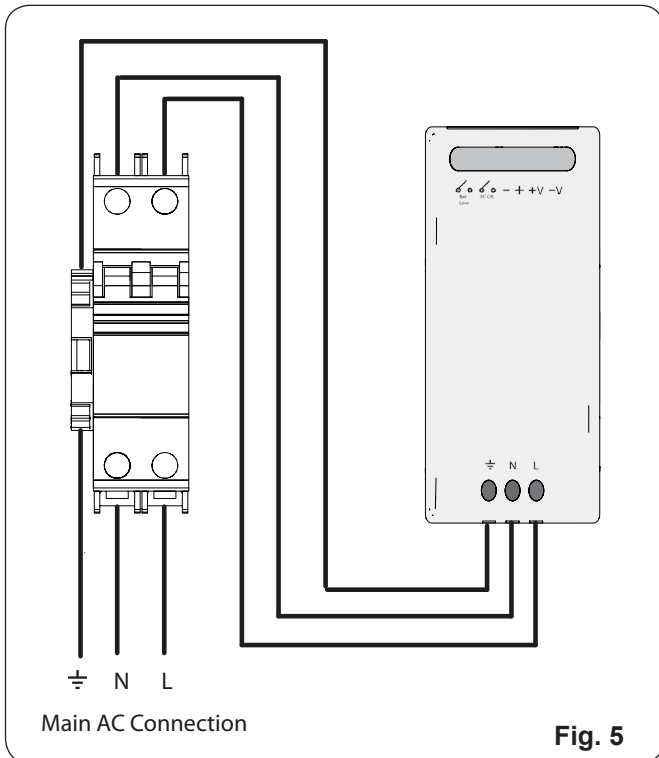
Fig. 3



OPERATION

The battery backup will keep the B680H operating without interruption when the AC power goes away.

If it is preferred to have the arm open and remain open until the AC power is restored, connect the AC OK output on the Power Supply to the ALARM input on the B680H control board as shown in Fig. 6



LIMITED WARRANTY

To the original purchaser only:

FAAC International, Inc., warrants, for twenty-four (24) months from the date of invoice, the gate operator systems and other related systems and equipment manufactured by FAAC S.p.A. and distributed by FAAC International, Inc., to be free from defects in material and workmanship under normal use and service for which it was intended provided it has been properly installed and operated.

FAAC International, Inc.'s obligations under this warranty shall be limited to the repair or exchange of any part of parts manufactured by FAAC S.p.A. and distributed by FAAC International, Inc. Defective products must be returned to FAAC International, Inc., freight prepaid by purchaser, within the warranty period. Items returned will be repaired or replaced, at FAAC International, Inc.'s option, upon an examination of the product by FAAC International, Inc., which discloses, to the satisfaction of FAAC International, Inc., that the item is defective. FAAC International, Inc. will return the warranted item freight prepaid. The products manufactured by FAAC S.p.A. and distributed by FAAC International, Inc., are not warranted to meet the specific requirements, if any, of safety codes of any particular state, municipality, or other jurisdiction, and neither FAAC S.p.A. or FAAC International, Inc., assume any risk or liability whatsoever resulting from the use thereof, whether used singly or in combination with other machines or apparatus.

Any products and parts not manufactured by FAAC S.p.A. and distributed by FAAC International, Inc., will carry only the warranty, if any, of the manufacturer. This warranty shall not apply to any products or parts thereof which have been repaired or altered, without FAAC International, Inc.'s written consent, outside of FAAC International, Inc.'s workshop, or altered in any way so as, in the judgment of FAAC International, Inc., to affect adversely the stability or reliability of the product(s) or has been subject to misuse, negligence, or accident, or has not been operated in accordance with FAAC International, Inc.'s or FAAC S.p.A.'s instructions or has been operated under conditions more severe than, or otherwise exceeding, those set forth in the specifications for such product(s). Neither FAAC S.p.A. nor FAAC International, Inc., shall be liable for any loss or damage whatsoever resulting, directly or indirectly, from the use or loss of use of the product(s). Without

limiting the foregoing, this exclusion from liability embraces a purchaser's expenses for downtime or for making up downtime, damages for which the purchaser may be liable to other persons, damages to property, and injury to or death of any persons.

FAAC S.p.A. or FAAC International, Inc., neither assumes nor authorizes any person to assume for them any other liability in connection with the sale or use of the products of FAAC S.p.A. or FAAC International, Inc. The warranty herein above set forth shall not be deemed to cover maintenance parts, including, but not limited to, hydraulic oil, filters, or the like. No agreement to replace or repair shall constitute an admission by FAAC S.p.A. or FAAC International, Inc., of any legal responsibility to effect such replacement, to make such repair, or otherwise. This limited warranty extends only to wholesale customers who buy directly through FAAC International, Inc.'s normal distribution channels. FAAC International, Inc., does not warrant its products to end consumers.

Consumers must inquire from their selling dealer as to the nature and extent of that dealer's warranty, if any. This warranty is expressly in lieu of all other warranties expressed or implied including the warranties of merchantability and fitness for use. This warranty shall not apply to products or any part thereof which have been subject to accident, negligence, alteration, abuse, or misuse or if damage was due to improper installation or use of improper power source, or if damage was caused by fire, flood, lightning, electrical power surge, explosion, wind storm, hail, aircraft or vehicles, vandalism, riot or civil commotion, or acts of God.